

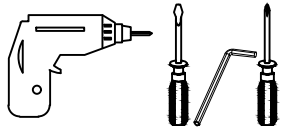
STL-DK01

Assembly Drawing

Pakketo code:069-000027

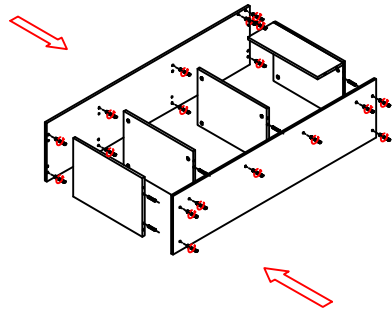
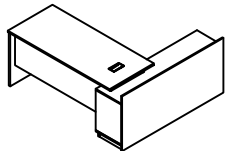
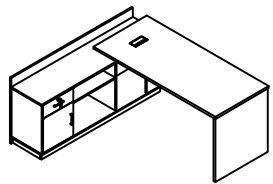
Size:W1800*D1600*H760

Tools

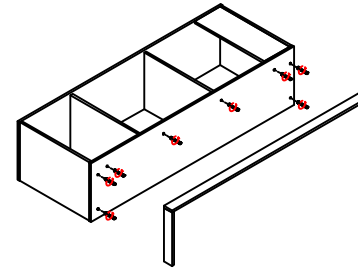


Connecting Parts

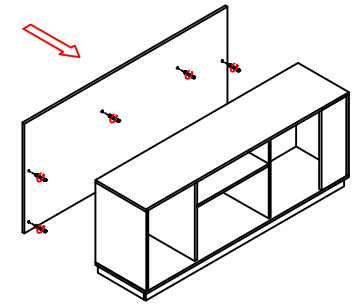
A		62	G		30
B		20	H		4
C		2	J		1
D		1	K		1
E		2	L		
F		4	M		



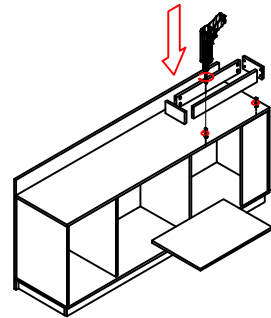
1



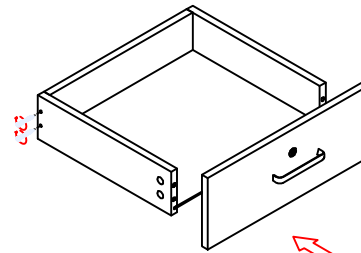
2



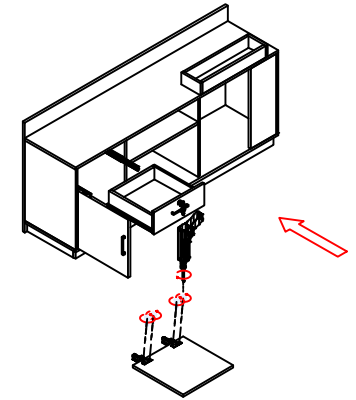
3



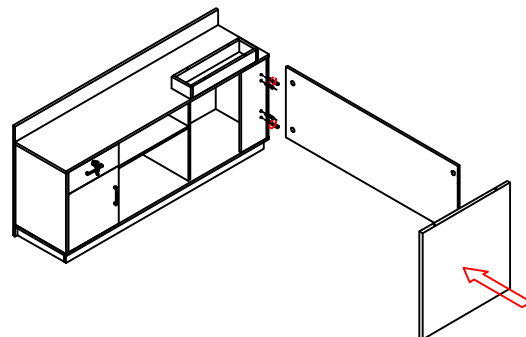
4



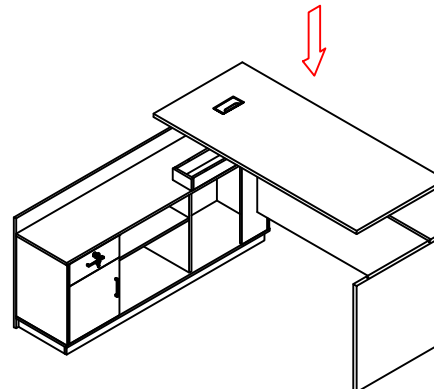
5



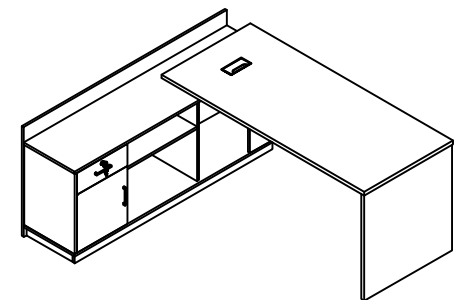
6



7



8



Finish