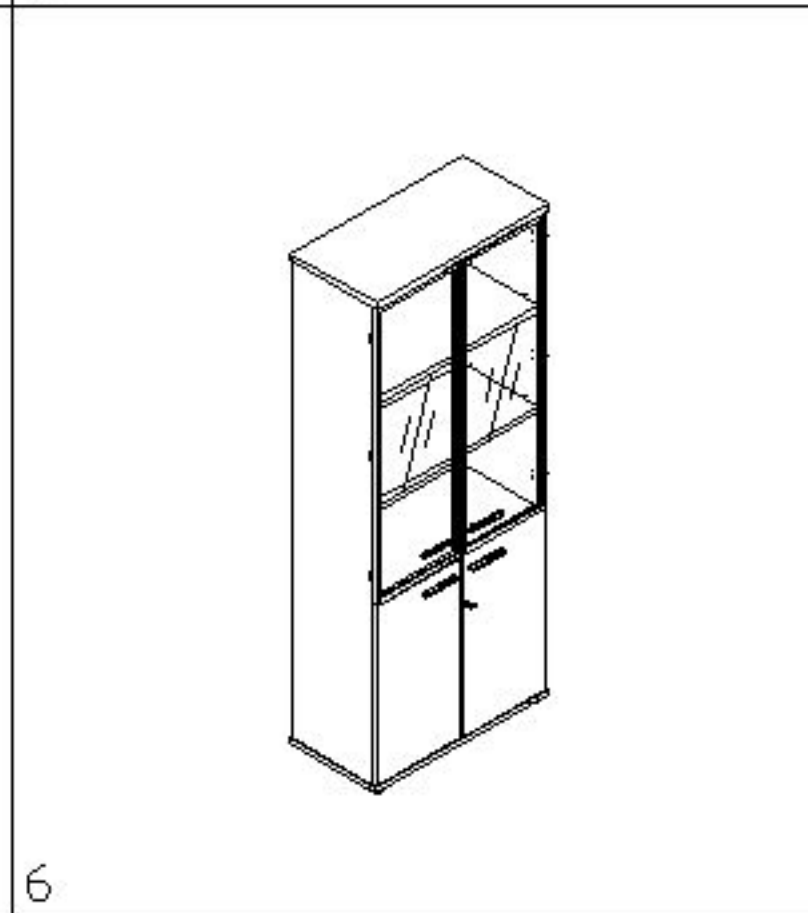
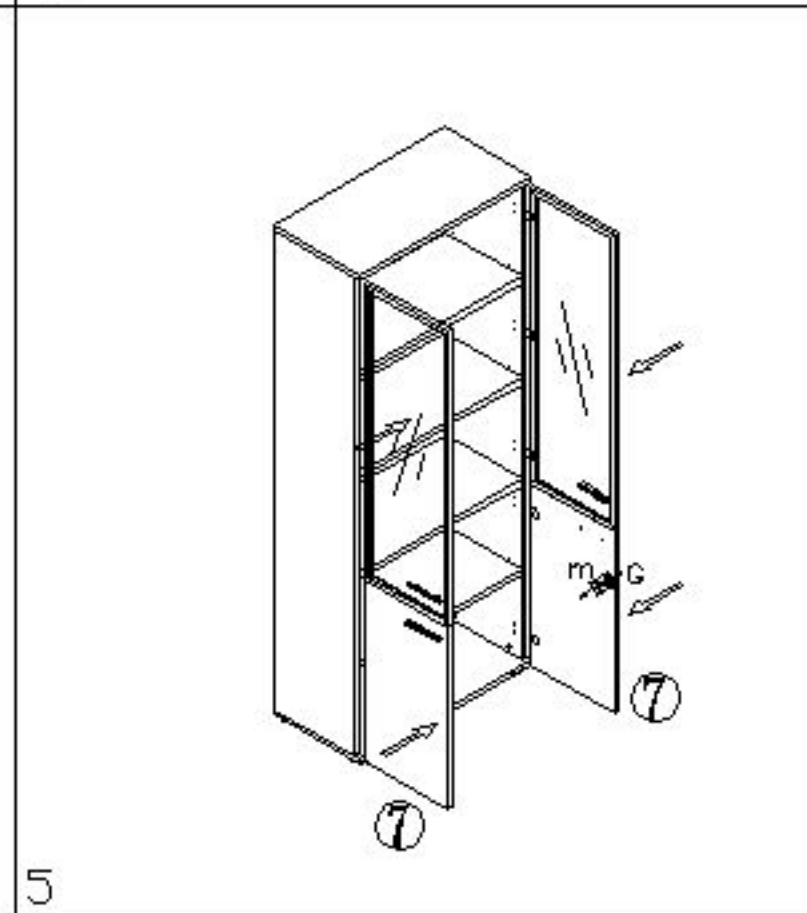
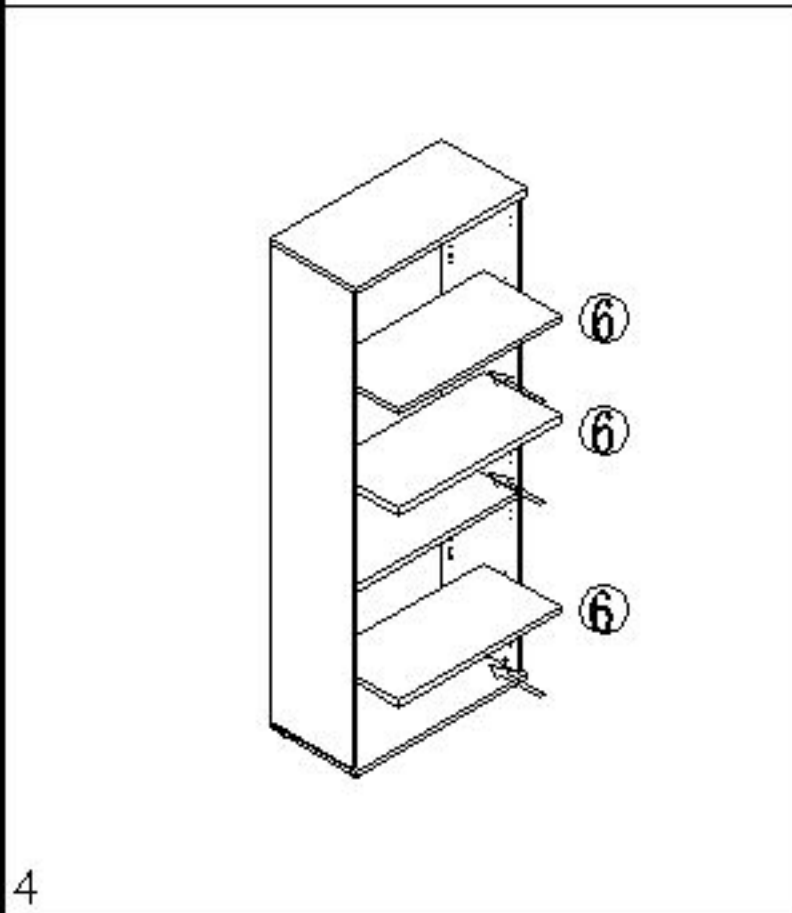
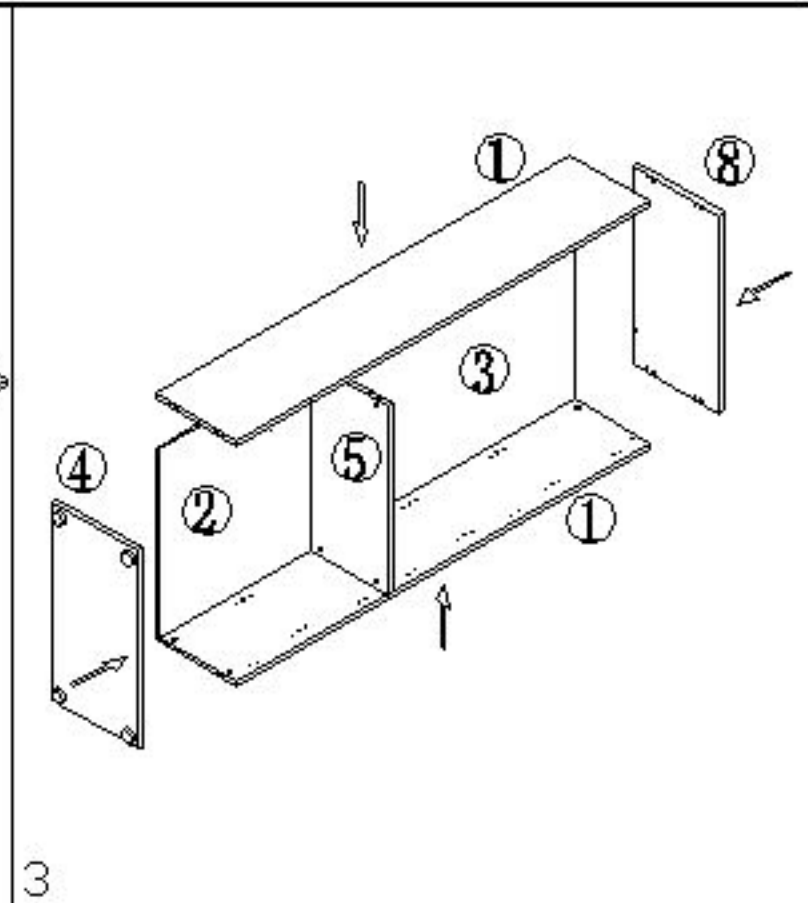
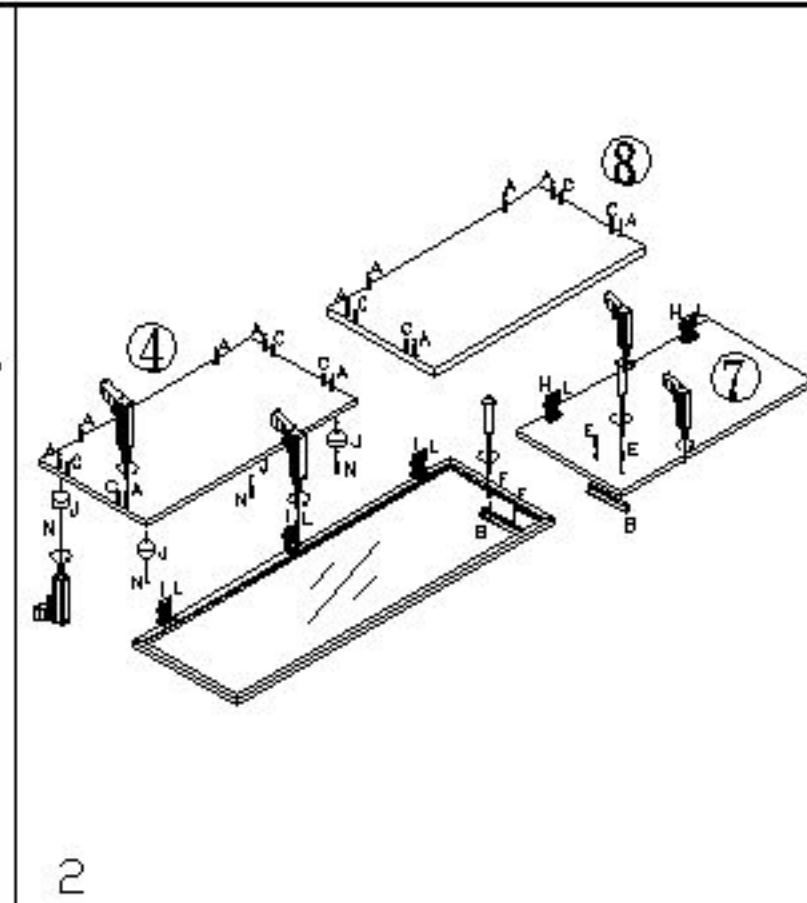
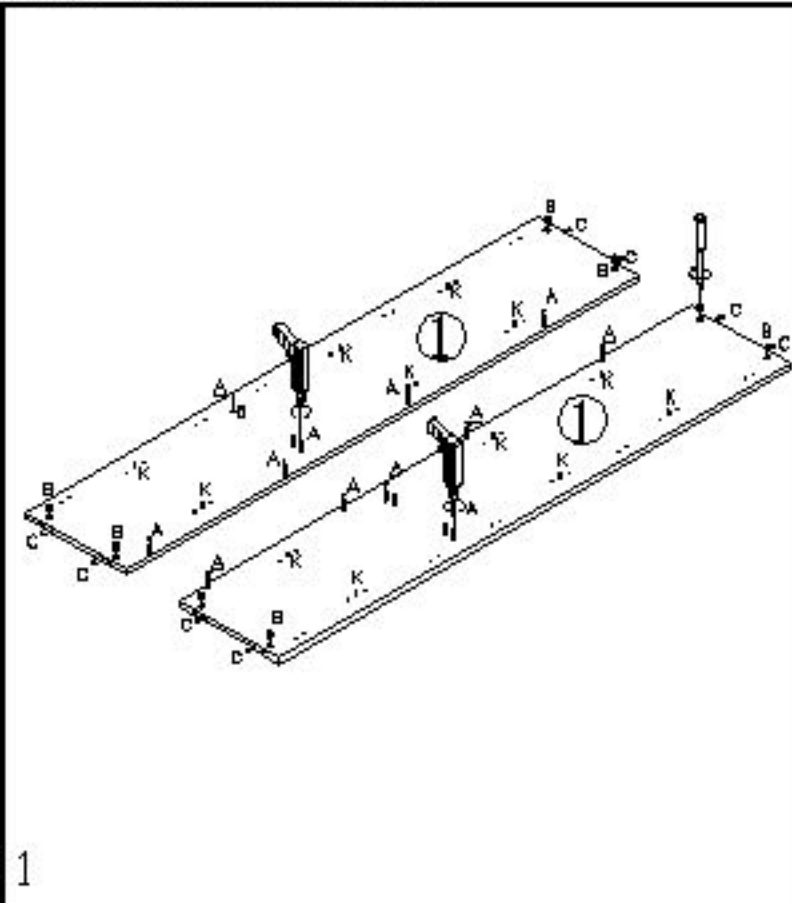


Item NO: OZ-2D20G

Assembly diagram



A	M8*25mm		28
B	∅15*12mm		28
C	∅8x30mm		12
D	90mm		4
E	M4x22mm		4
F	M4x8mm		4
G	∅20mm		1
H	∅35mm		4
I			6
J	∅60x20mm		4
K	∅5x12mm		12
L	M3.5x14mm		54
M	M3.5x20mm		4
N	M4x30mm		4

1	1934x380x18	2
2	760x709x18	1
3	1200x760x18	1
4	800x398x18	1
5	760x380x25	1
6	758x358x25	3
7	730x396x18	2
8	800x400x25	1