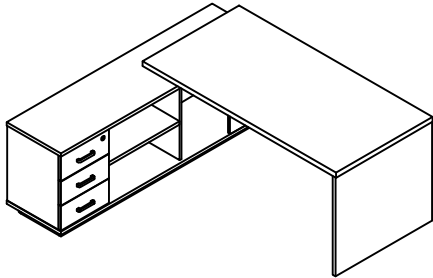
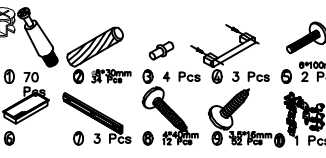
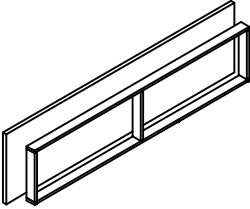
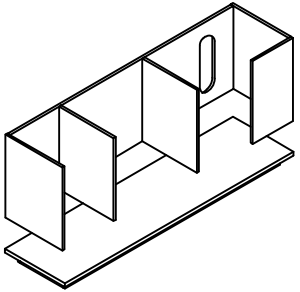
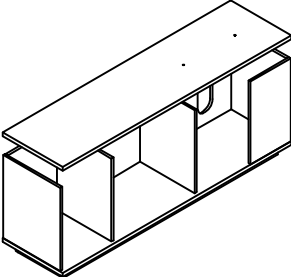
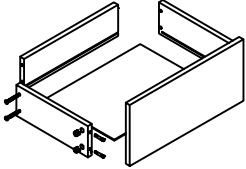
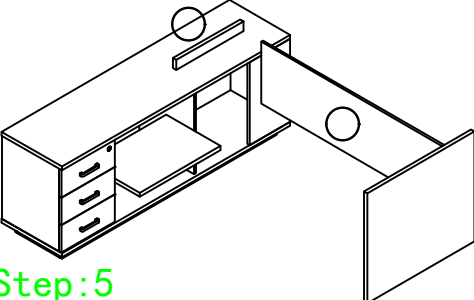
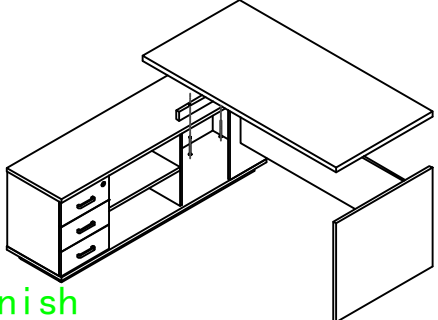
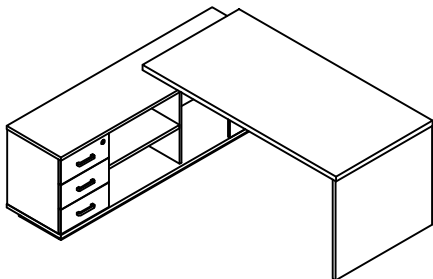
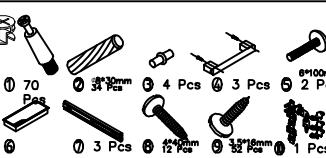
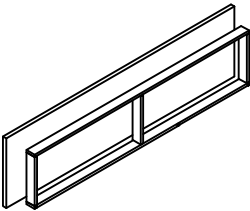
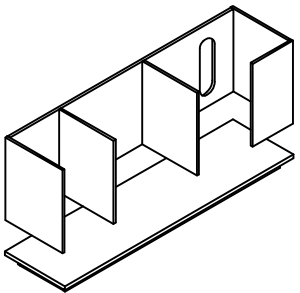
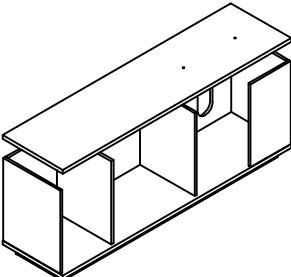
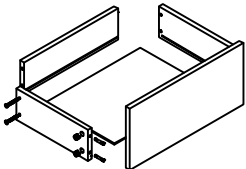
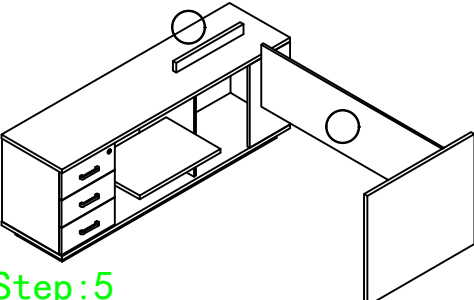
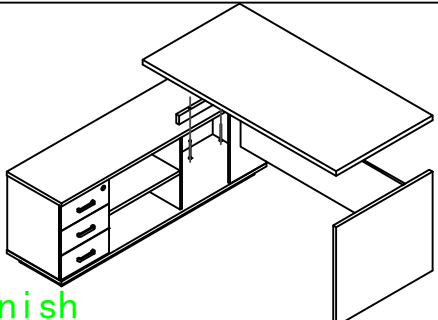


Assembly Drawing

| Tools | Connecting Parts | | |
|--|---|---|--|
|  |  |  <p>Step:1</p> |  <p>Step:2</p> |
| | |  <p>Step:3</p> |  <p>Step:4</p> |
| | |  <p>Step:5</p> |  <p>Finish</p> |

0Z1702 Assembly Drawing

| Tools | Connecting Parts | | |
|--|---|--|---|
|  |  |  <p>Step:1</p> |  <p>Step:2</p> |
| | |  <p>Step:3</p> |  <p>Step:4</p> |
| | |  <p>Step:5</p> |  <p>Finish</p> |