

# ASSEMBLY INSTRUCTION

035-000086

## PARTS AND HARDWARE

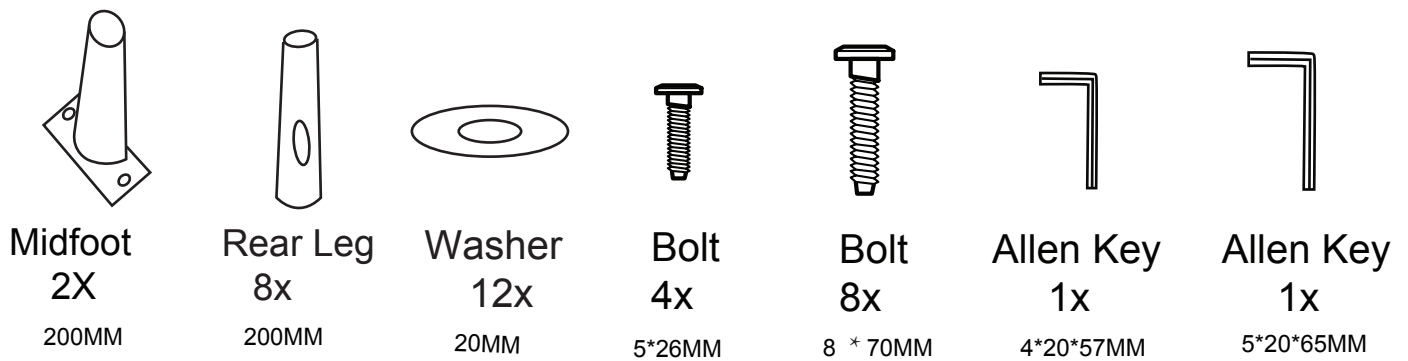


DIAGRAM 1

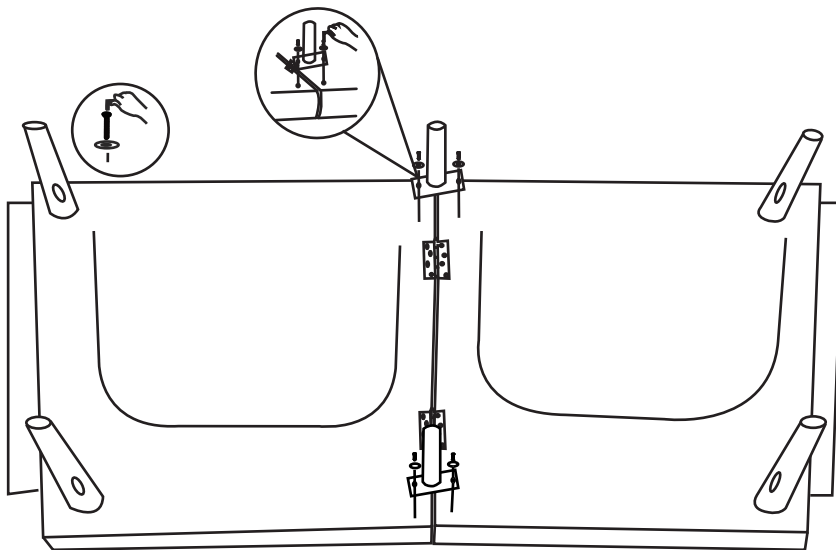


DIAGRAM 2

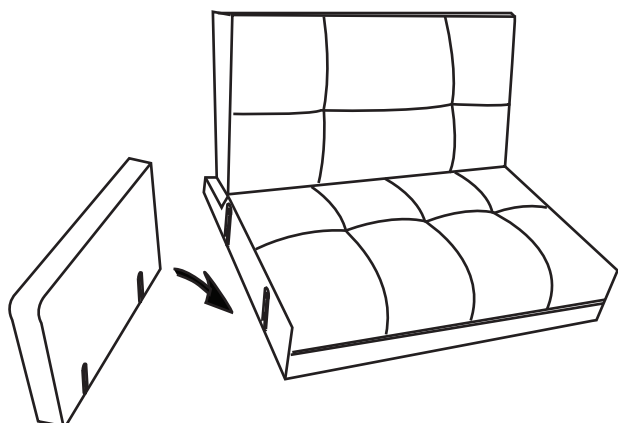


DIAGRAM 3

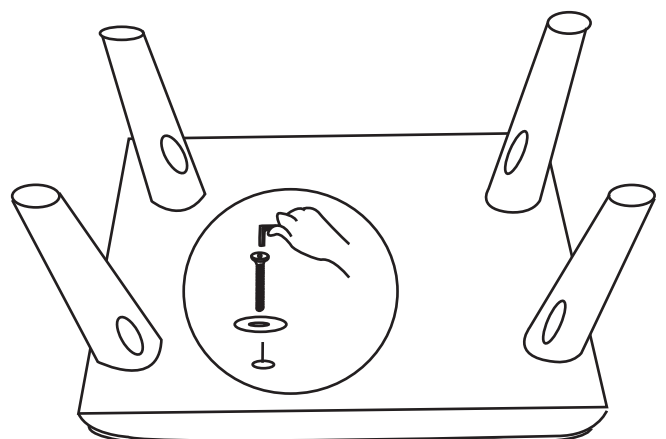


DIAGRAM 4

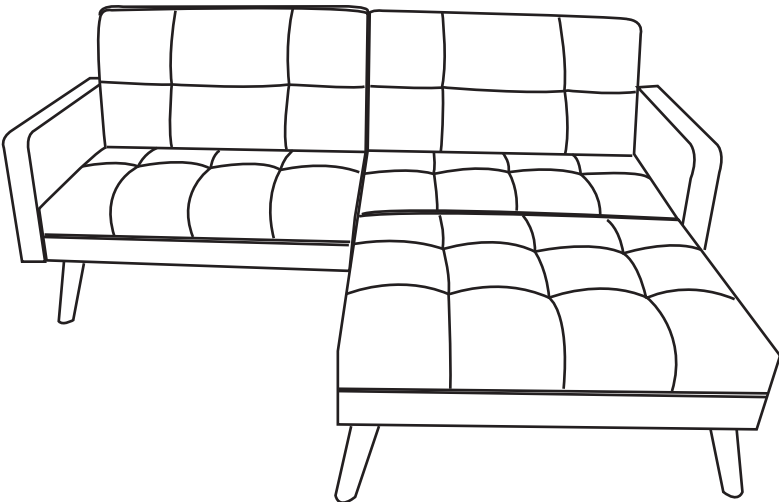


DIAGRAM 5

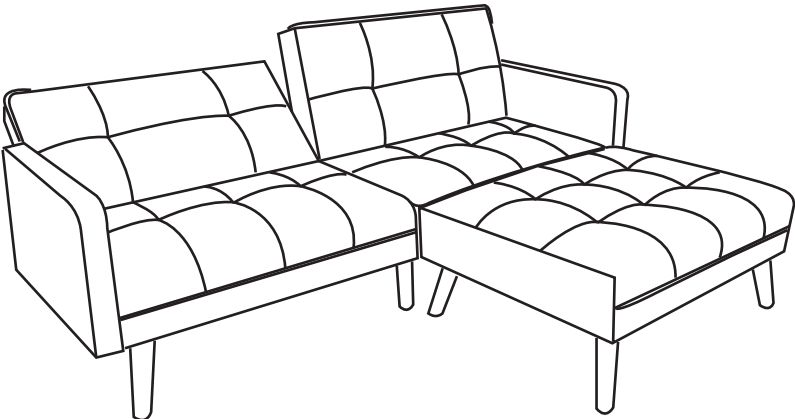


DIAGRAM 6

