

ASSEMBLY INSTRUCTIONS

PARTS AND HARDWARE

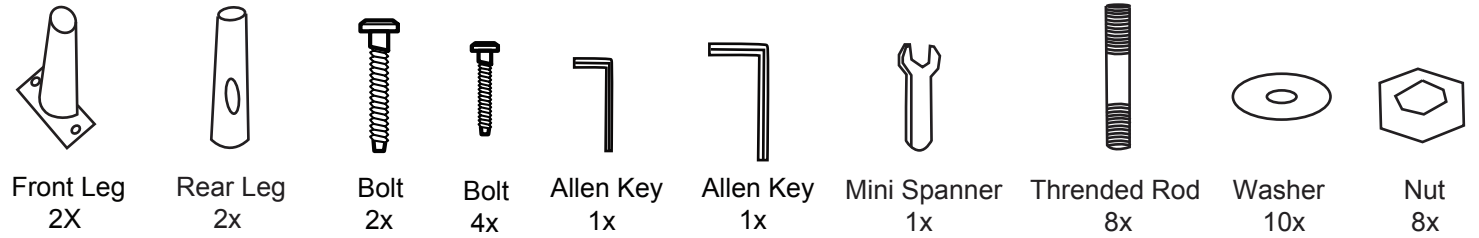


DIAGRAM 1

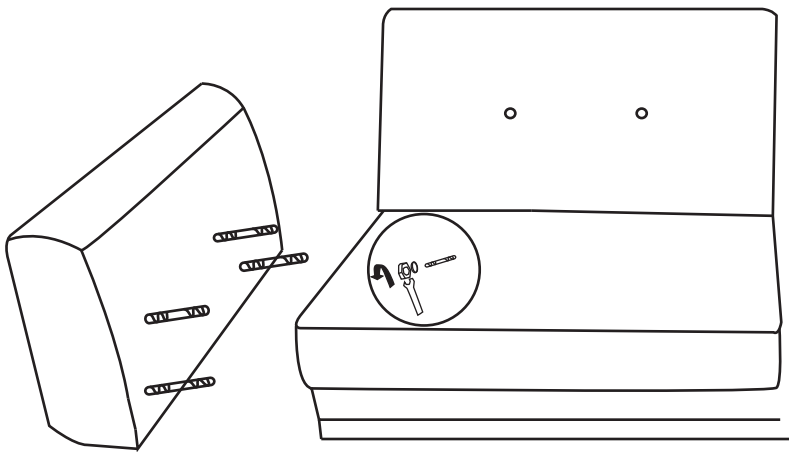


DIAGRAM 2

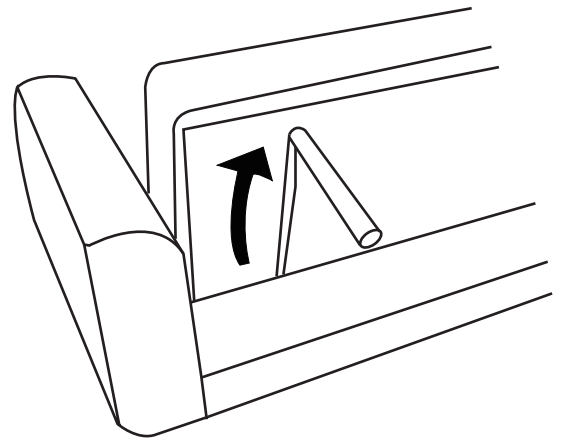
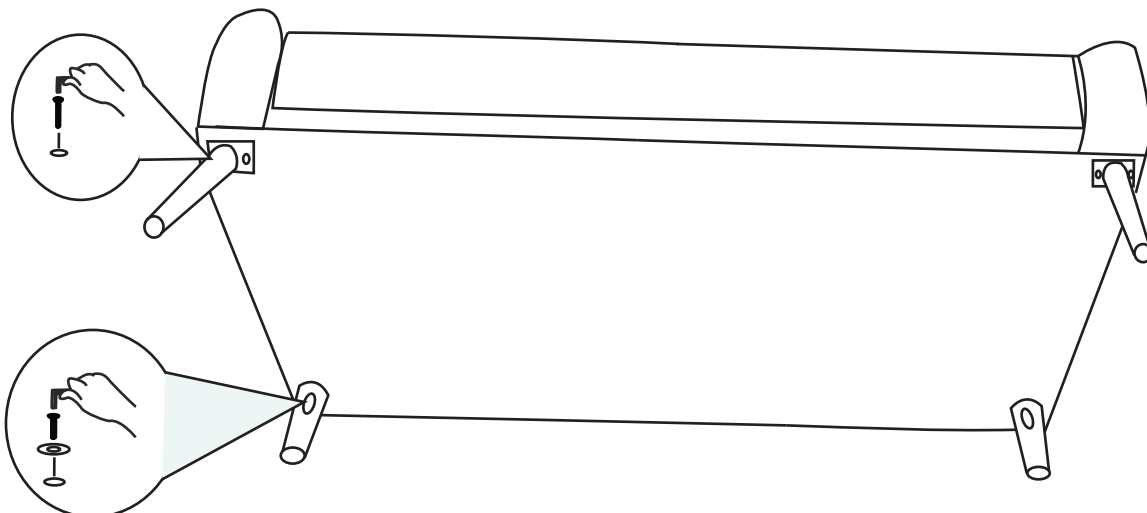


DIAGRAM 3



ASSEMBLY INSTRUCTIONS

DIAGRAM 4

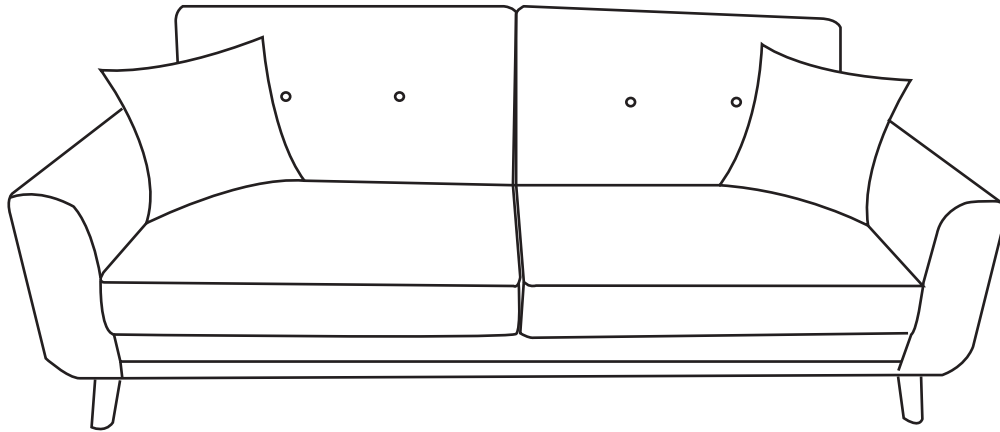


DIAGRAM 5

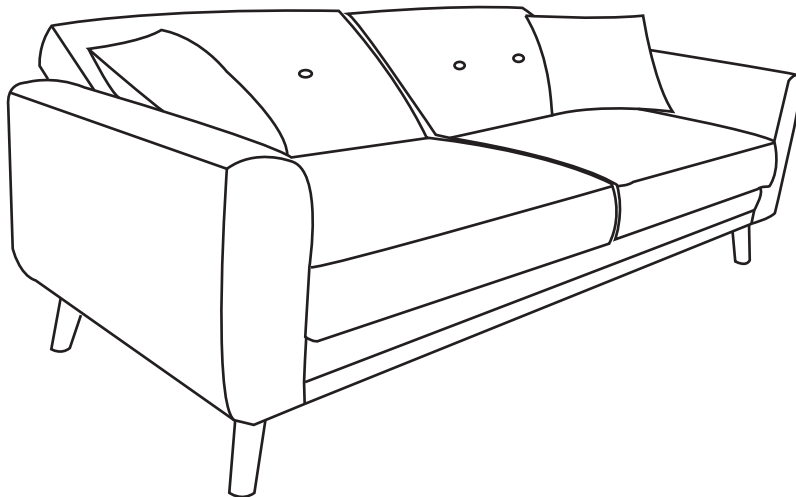


DIAGRAM 6

