

# ASSEMBLY INSTRUCTIONS

## PARTS AND HARDWARE

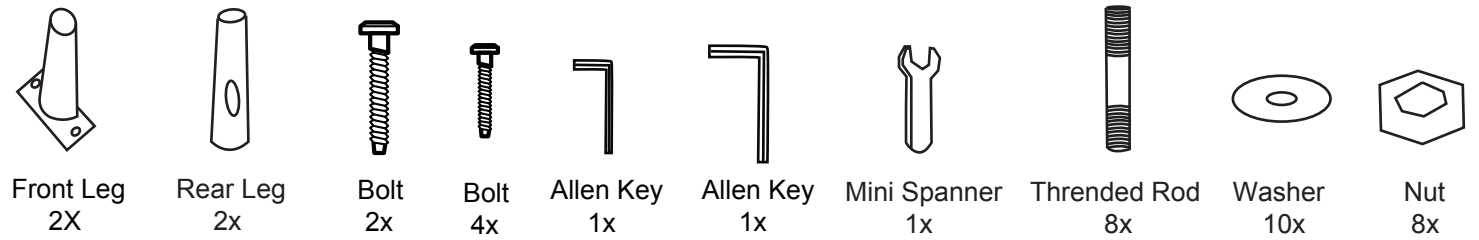


DIAGRAM 1

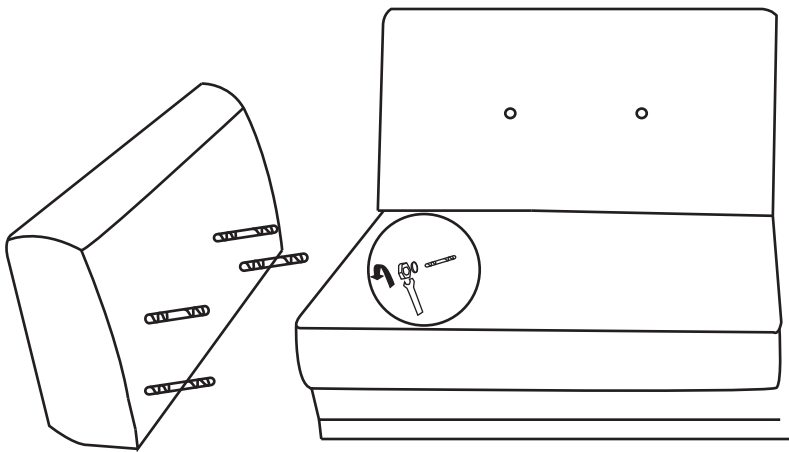


DIAGRAM 2

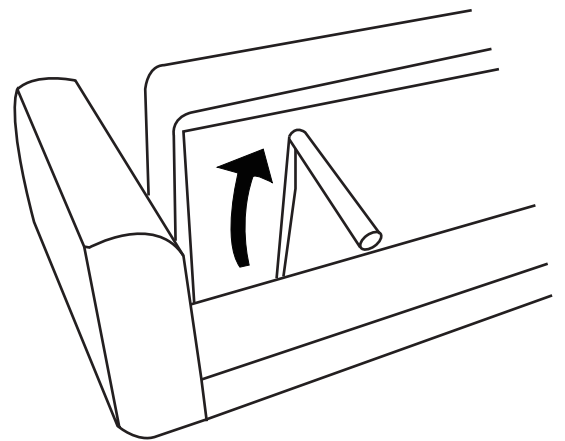
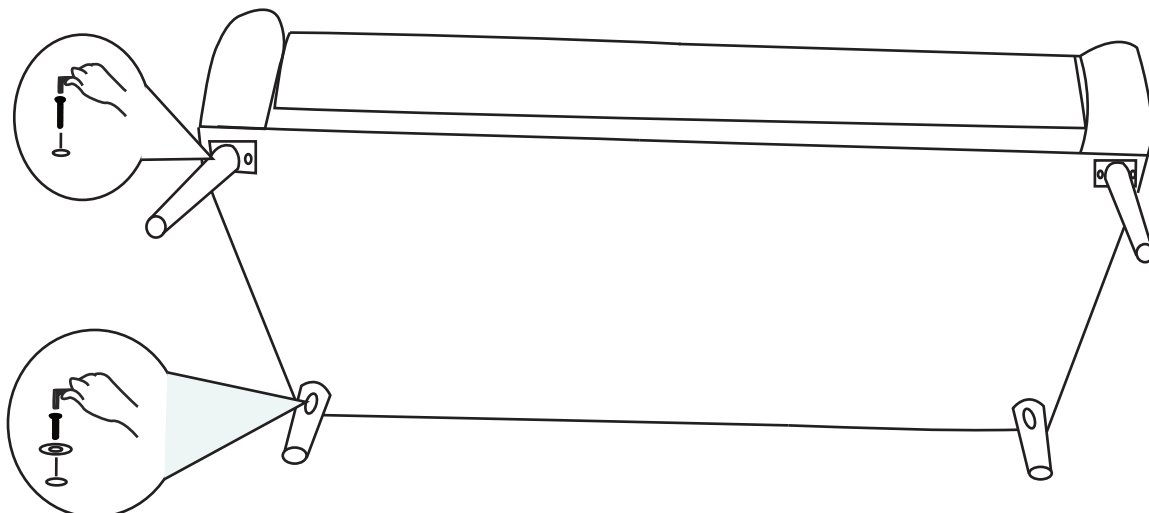


DIAGRAM 3



# ASSEMBLY INSTRUCTIONS

DIAGRAM 4

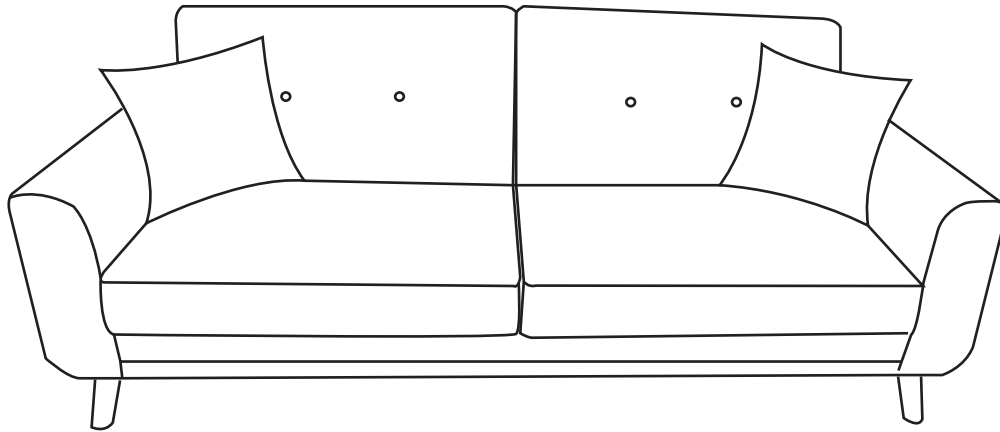


DIAGRAM 5

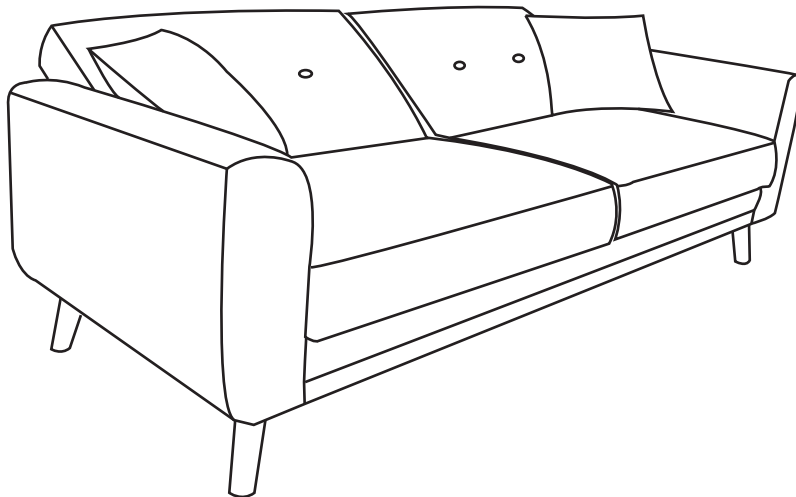


DIAGRAM 6

